

XG Series Scales – Data Sheet



- NTEP approved – 19-147
 - 304 stainless steel platter and frame assembly
 - Anti slip adjustable levelling feet
 - 1.5in 304 stainless tubal pole or SS front bracket option
 - IP65 moisture protected Aluminum load cells
 - 5 point overload protection
 - Overload recording increments every time the scale is overloaded
- Rinstrum XG series are sturdy, economic industrial bench scales designed for years of rugged use. Sizes range from 12in x 12in to 20in x 24in with capacities from 25lbs to 1000lbs, and NTEP approved to 5000 div non-trade to 30,000 div for industrial applications requiring higher accuracy. The scale is available in a range of different indicator mounting options, indicators, and firmware to suit the application functionality and working environment.
- Optional M12 cables allowing for fast setup and replication of saved RIS settings via a viewer, and factory calibration make this platform series excellent for drop ship customers.

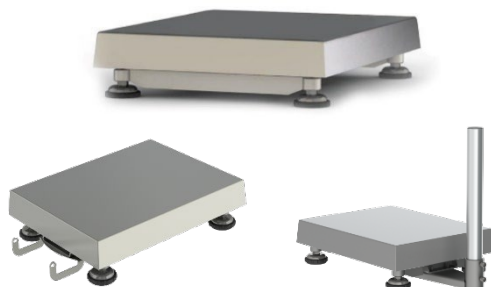
Easy maintenance & operation

- Clear open frame – easy to keep clean
- Removable low sided pan – deflect splatter and easy cleaning
- Sturdy pan construction – no warping
- 2 Axis rotating head – for best operator viewing angle

Capacity x Resolution	12 x 12 (S)	12 x 16 (M)	16 x 20 (L)	20 x 24 (XL)
25 lb x 0.005 lb	✓	-	-	-
50 lb x 0.01 lb	✓	✓	✓	-
100 lb x 0.02 lb	✓	✓	✓	-
250 lb x 0.05 lb	✓	✓	✓	-
400 lb x 0.1 lb	-	-	✓	-
1000 lb x 0.2 lb	-	-	-	✓

• Options for customization of capacity, resolution and base available

Smart Weighing



- Flexible factory fit mounting options:
 - Options for post in either short, long or no post for wall mounting
 - Front mounting on C3 and R3
- Flexible firmware for enhanced functionality for more complex applications:
 - Setpoints
 - Advanced animal weighing

...now that's smart weighing

C320 Indicator



- Independently sealed keypad with mechanical key switches
- lb:oz displayable unit of measure
- Gravity compensation

- 9 color configurable RGB backlight for multi-band check weighing and indication



Indicator specifications

Firmware (K301)	
Weighing Units	lb, oz, kg, g, t, TN, lb:oz
Application Modes	Weighing, auto-tare, accumulation, parts counting, check weighing
Check Weigh Indication	9 color backlight
NTEP certified	5000d
Max resolution	60000d
Comms Interface	Optional RS232, RS485, 20mA, 4-20mA / 0-10V
Calibration	Quick, Zero, Span/ 10 point linearization, gravimetric compensation options
Construction	
Material	IP65 composite alloy
Display	RGB backlit LCD Six 9 segment 0.8" high digits with units and annunciators
Keyboard	Independently sealed 7 mechanical keys
Power	Fitted with 4AA battery boot and AC plug pack.
Accessories	M6201 RS232 card M6203 RS485 card

X320 Indicator

- Tough enclosure – Impact resistant composite alloy housing
- IP68 and IP69K rated
- AC/DC/Battery Power Options
- 3 band check weighing



Indicator specifications

Firmware (K376)	
Weighing Units	lb, oz, kg, g, t
Application Modes	Weighing, auto-tare, accumulation, parts counting, check weighing
Check Weigh Indication	3 color LEDs, optional light tower
NTEP certified	5000d
Max resolution	60000d
Comms Interface	RS232 included
Calibration	Quick, Zero, Span, gravimetric compensation options
Construction	
Material	IP69k certified composite alloy
Display	LED backlit LCD with six 0.8" high digits with units and annunciators
Keyboard	Touch capacitive with no moving parts
Power	120/240VAC, wide range DC, or battery / rechargeable factory options

R320 Indicator

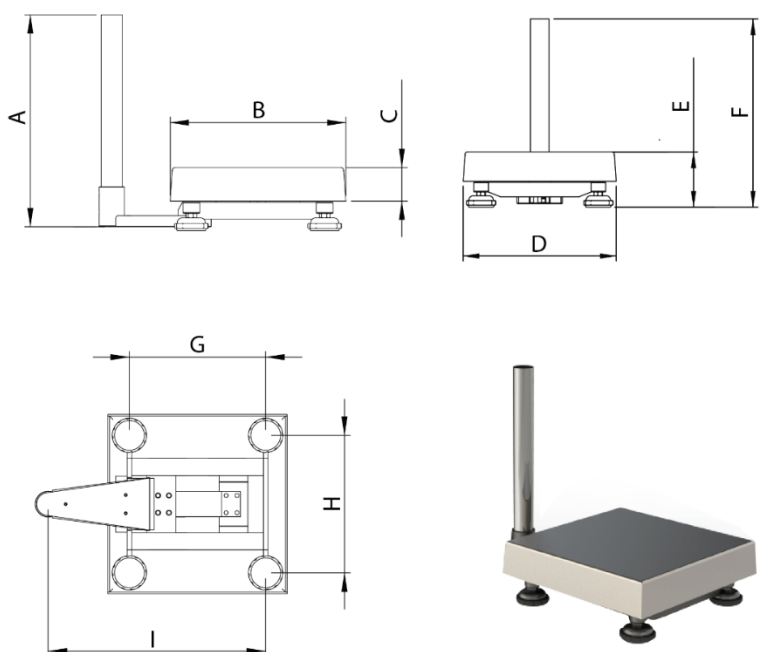

- ABS Housing with silicon keys
- Super low-cost option weight display only
- Clock calendar, printing available depending on firmware



Indicator specifications

Firmware (K342)	
Weighing Units	lb, oz, kg, g, t
Application Modes	Weighing, auto-tare, accumulation, parts counting options
NTEP certified	5000d
Max resolution	60000d
Comms Interface	RS232 Option
Calibration	Quick, Zero, Span, gravimetric compensation options
Construction	
Material	IP65 ABS
Display	LED backlit LCD with six 0.8" high digits with units and annunciators
Keyboard	Independently sealed conductive rubberized.
Power	Fitted with 4AA battery boot and AC plug pack. (option for rechargeable battery)

XG Scales Specifications

XG Scale Base																																																							
Load Cell Composition	IP65, Aluminium (optional Stainless Steel)																																																						
Approval	NTEP: 19-147																																																						
Frame/ Pan/ Feet Composition	304 Stainless Steel																																																						
Load cell	Aluminum (optional Stainless Steel)																																																						
Repeatability	+/- 1 division																																																						
Linearity	+/- 1 division																																																						
Dimensions																																																							
																																																							
																																																							
<table border="1"> <thead> <tr> <th rowspan="2">Dimension</th> <th>12 x 12 (S)</th> <th>12 x 16 (M)</th> <th>16 x 20 (L)</th> <th>20 x 24 (XL)</th> </tr> <tr> <th>Inch</th> <th>Inch</th> <th>Inch</th> <th>Inch</th> </tr> </thead> <tbody> <tr> <td>A*</td> <td>14.88</td> <td>14.88</td> <td>14.88</td> <td>26.69</td> </tr> <tr> <td>B</td> <td>12.32</td> <td>16.26</td> <td>20.20</td> <td>24.13</td> </tr> <tr> <td>C</td> <td>2.36</td> <td>2.36</td> <td>2.36</td> <td>2.95</td> </tr> <tr> <td>D</td> <td>12.32</td> <td>12.32</td> <td>16.26</td> <td>20.20</td> </tr> <tr> <td>E</td> <td>4.45</td> <td>4.45</td> <td>4.57</td> <td>5.94</td> </tr> <tr> <td>F</td> <td>15.16</td> <td>15.16</td> <td>15.16</td> <td>26.97</td> </tr> <tr> <td>G</td> <td>9.45</td> <td>13.30</td> <td>17.24</td> <td>21.26</td> </tr> <tr> <td>H</td> <td>9.45</td> <td>9.45</td> <td>13.39</td> <td>17.32</td> </tr> <tr> <td>I</td> <td>14.76</td> <td>18.62</td> <td>22.56</td> <td>26.61</td> </tr> </tbody> </table>		Dimension	12 x 12 (S)	12 x 16 (M)	16 x 20 (L)	20 x 24 (XL)	Inch	Inch	Inch	Inch	A*	14.88	14.88	14.88	26.69	B	12.32	16.26	20.20	24.13	C	2.36	2.36	2.36	2.95	D	12.32	12.32	16.26	20.20	E	4.45	4.45	4.57	5.94	F	15.16	15.16	15.16	26.97	G	9.45	13.30	17.24	21.26	H	9.45	9.45	13.39	17.32	I	14.76	18.62	22.56	26.61
Dimension	12 x 12 (S)		12 x 16 (M)	16 x 20 (L)	20 x 24 (XL)																																																		
	Inch	Inch	Inch	Inch																																																			
A*	14.88	14.88	14.88	26.69																																																			
B	12.32	16.26	20.20	24.13																																																			
C	2.36	2.36	2.36	2.95																																																			
D	12.32	12.32	16.26	20.20																																																			
E	4.45	4.45	4.57	5.94																																																			
F	15.16	15.16	15.16	26.97																																																			
G	9.45	13.30	17.24	21.26																																																			
H	9.45	9.45	13.39	17.32																																																			
I	14.76	18.62	22.56	26.61																																																			
*Scales can be supplied with either no post, short post, long post or front mount.																																																							