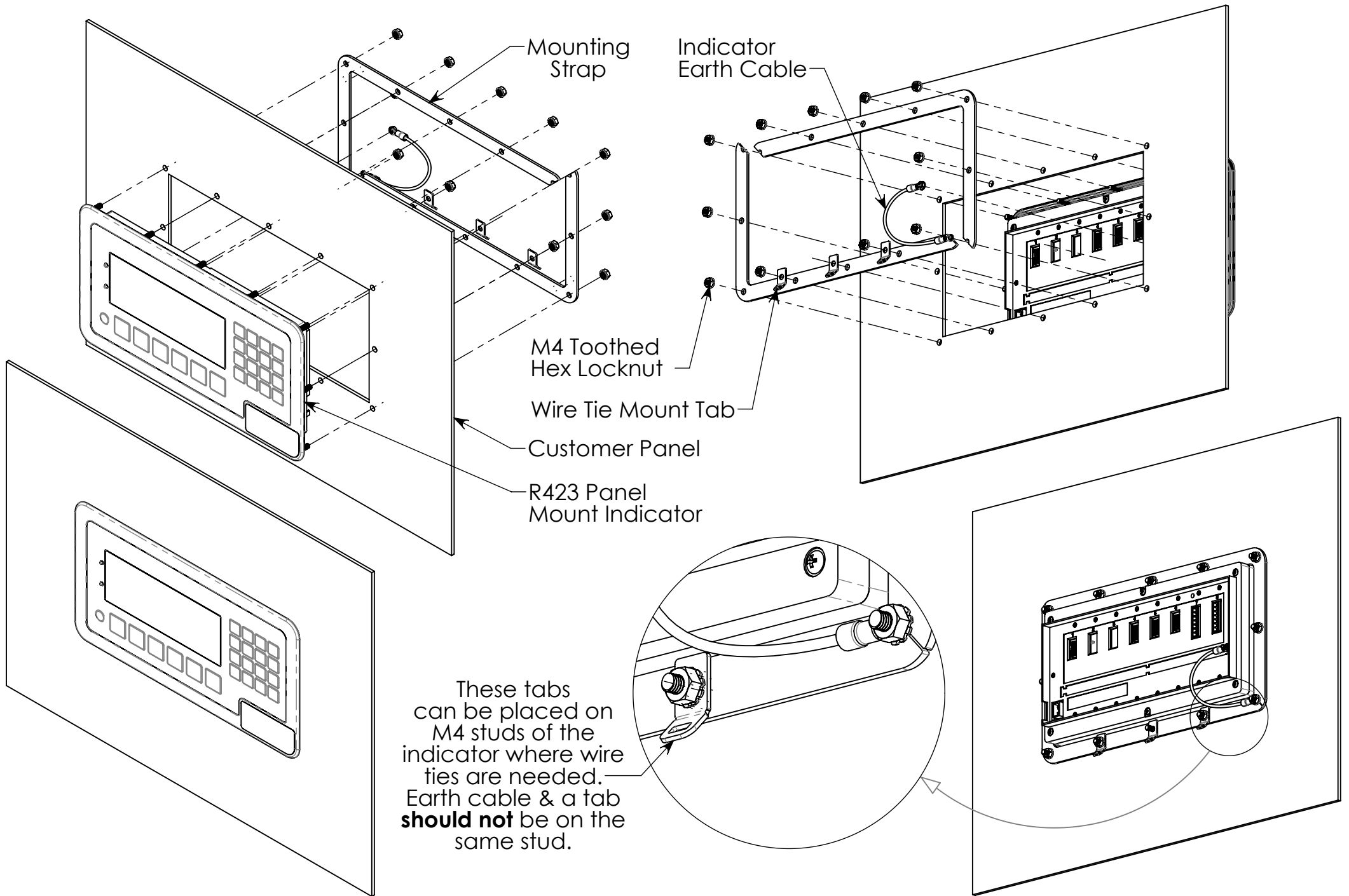


R423 PANEL MOUNT INDICATOR INSTALLATION



Recommended maximum installation panel thickness: 6mm
Recommended tightening torque range for the M4 hex nuts: 1.3Nm - 2.8Nm