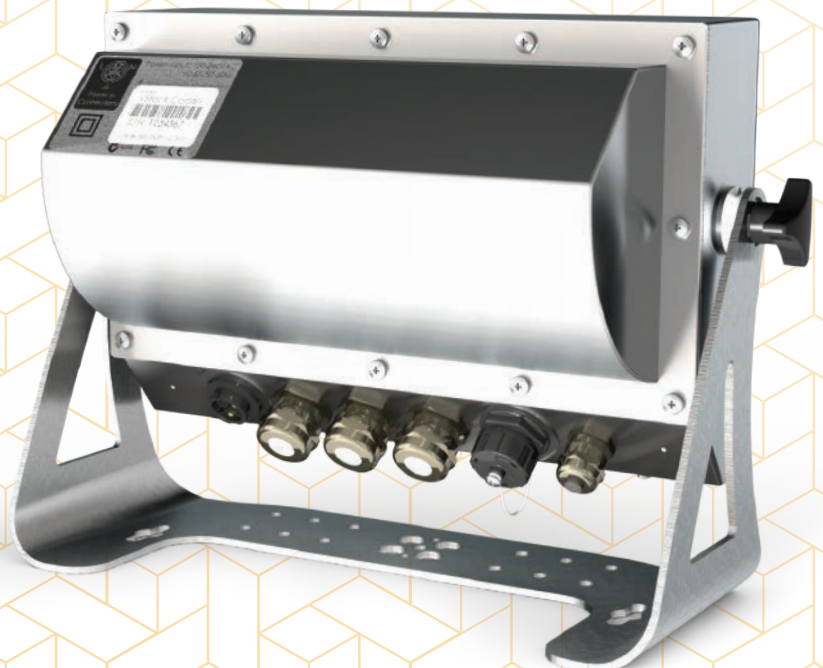


R457



rinstrum
SMART WEIGHING SOLUTIONS



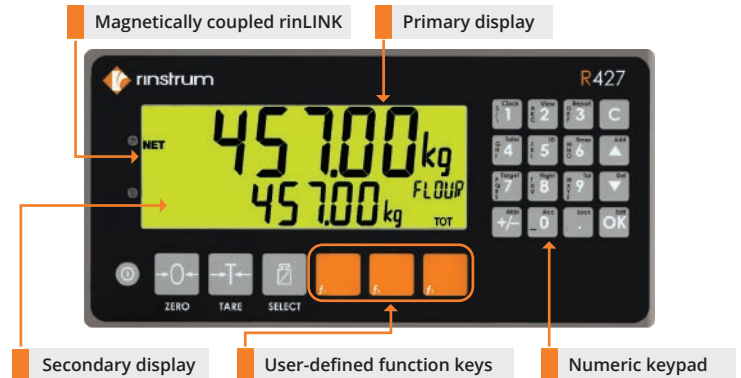
Rinstrum R457 Stainless Steel Indicators

The R457 series of indicators are designed with both the installer and operator in mind and cover a wide range of applications. R457 is an indicator in a full stainless steel IP66-rated housing with waterproof USB host, Ethernet connections and cable glands for load cell and accessory connections. The USB host on the front of the indicator can support a variety of USB devices including: point of sale printer, keyboard or USB stick.

The Ethernet functionality includes an embedded web server to allow the operator remotely to monitor the instrument with any device with a web browser. For an example, you can view the current weight and status from your phone. The R457 carries Rinstrum's Lua based scripting engine which allows for a variety of Lua application to be used.

Features

- Ethernet support
- USB Host
- AC and DC options
- LCD with 4 alpha-numeric displays and LED backlighting
- OIML, NMI and NTEP trade approved
- Built-in RS232/RS485
- IP66-rated Stainless Steel housing



rinLINK for establishing a temporary connection to a PC

The rinLINK provides an isolated optical serial connection directly on the front of the indicator. It is magnetically coupled for easy access in situ for updates/setup of the indicator, saving the installer time and effort.

The rinLINK can be used to download new firmware or to provide the connection to the PC running Viewer for indicator configuration.

Application Packages

L401

- Transaction Log in .csv format
- USB event to copy .csv file to USB and clear local copy upon user approval
- Web page enabling viewing weight data and password protected downloading and clearing of Log.csv file

L404

- Static Truck Weighing
- Clicker Truck Selection
- Remote display Support
- 2 Indicator Mode
- USB/serial/Windows Printer Support
- Truck, Destination and Product database (optional)

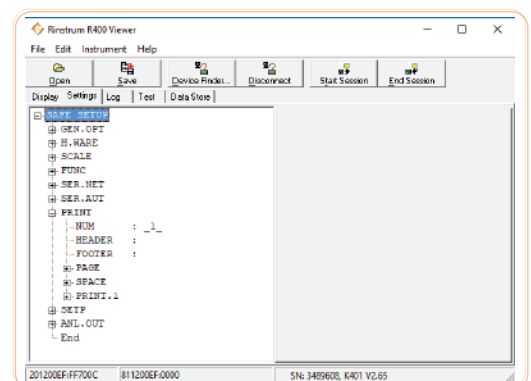
Superior diagnostics and support

- Range of diagnostic tools and features
- Hardware configuration report: summarizes how the indicator hardware is set up, providing a record for maintenance purposes or fault finding
- Force Output and Test Input functions: allow the installer to specifically test I/O to assist in site setup
- Ability to swap modules in and out without recalibration of the indicator

Lua Scripting



- Embedded Lua scripting offering enhanced functionality through a range of application packages
- Embedded web server for remote access



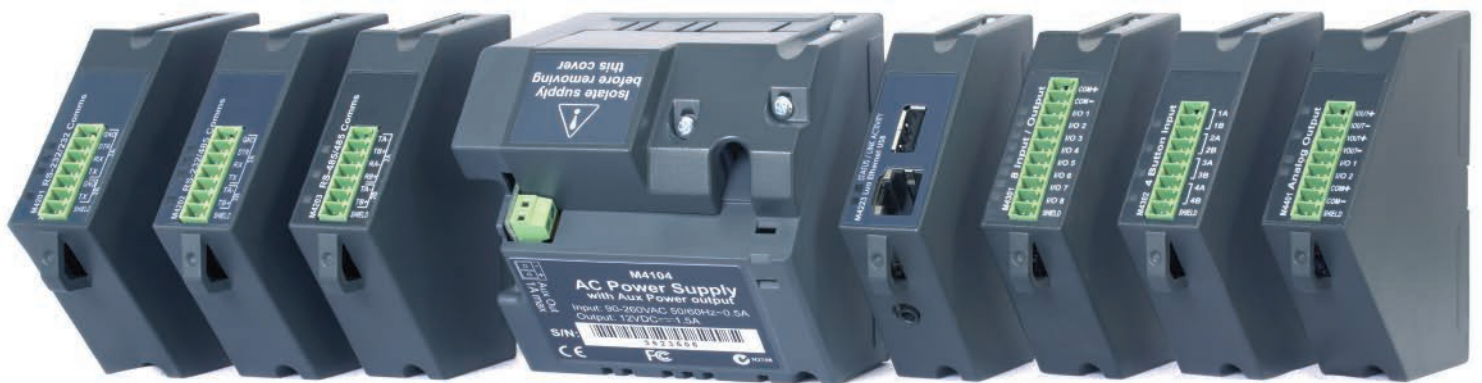


R427 with desk stand

Rugged Load Cell Input

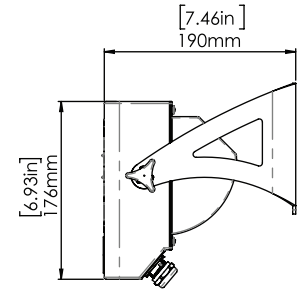
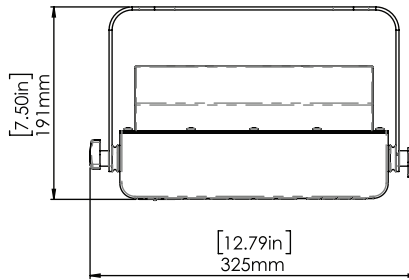
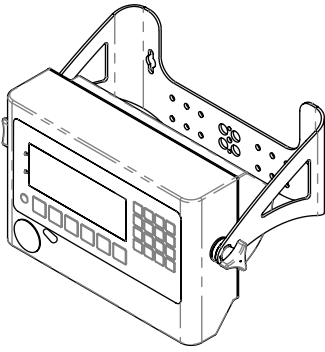
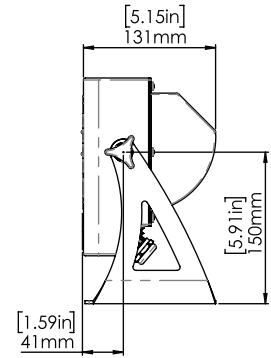
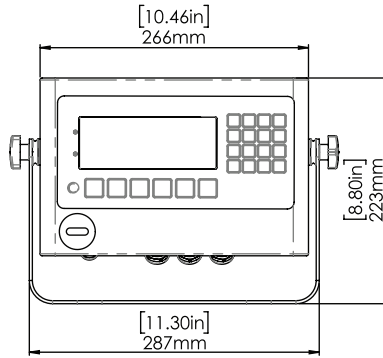
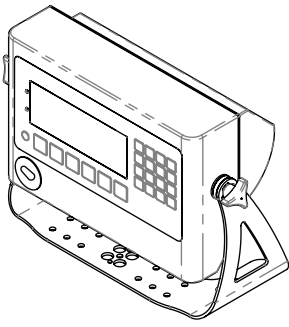
Designed to take 16x350 ohm load cells @0.25uV/D; providing flexibility and reducing the need for summing hardware, simplifying the installation and saving money. The load cell input is protected with onboard transorbs to limit damage from external voltage surges.

Full Range of Module Accessories



RS232/ RS232 Module	RS232/RS485 Module	RS485/RS485 Module	AC Module	Lua Module (Standard)	I/O Module	Button Module	Analogue Output	Data Storage Device Module
<ul style="list-style-type: none"> Electrically isolated RS232 serial communication Status LEDs 	<ul style="list-style-type: none"> Electrically isolated serial communication Status LEDs 	<ul style="list-style-type: none"> Electrically isolated RS485 networking Status LEDs 	<ul style="list-style-type: none"> 110-240 VAC in 12 VDC out 	<ul style="list-style-type: none"> Lua programmability Ethernet Port USB Host Port Telnet/SSH remote access 	<ul style="list-style-type: none"> 8 I/O Configure as input or output Electrically isolated Status LEDs Outputs – high current DC Active high I/O 	<ul style="list-style-type: none"> 4 voltage free inputs 	<ul style="list-style-type: none"> 4-20mA or 0-10V analogue output Electrically isolated Fast 400Hz update 2 digital I/O 	<ul style="list-style-type: none"> Nonvolatile alibi memory storage (6M bytes) Compatible with later versions of software

R457 Full Housing



AUSTRALIA

Rinstrum Pty Ltd
41 Success Street
Acacia Ridge 4110
Australia

Ph: + 61 7 3216 7166
Fax: + 61 7 3216 6211
Email: sales@rinstrum.com

USA

Rinstrum Inc
1349 Piedmont Drive
Troy, Michigan 48083
United States

Toll Free 1 877 829 9152
Ph: +1 248 680 0320
Fax: +1 248 499 1331
Email: sales.usa@rinstrum.com

EUROPE

Rinstrum Europe GmbH
Hans-Böckler-Straße 42
D-40764 Langenfeld
Germany

Ph: +49 (0)2173 165162-10
Fax: +49 (0)2173 165162-29
Email: sales.eu@rinstrum.com