



0-10V or 4-20mA Input Converter User Manual

Introduction

The 0-10V or 4-20mA input converter is a device that converts voltage or current into a differential signal suitable for use with weighing indicators.

Specifications

	Min	Typical	Max
Voltage input range	-11V		11V
Current input range	-22mA		22mA
Error			< 0.1%
Input resistance (voltage input)		100k Ω	
Input resistance (current input)		433 Ω	
Operating Temperature	-10 $^{\circ}$ C		40 $^{\circ}$ C

Wiring

The device is designed to plug directly into the 6 pin screwless terminal connector on the back of the weighing indicator, as observed in Figure 1.

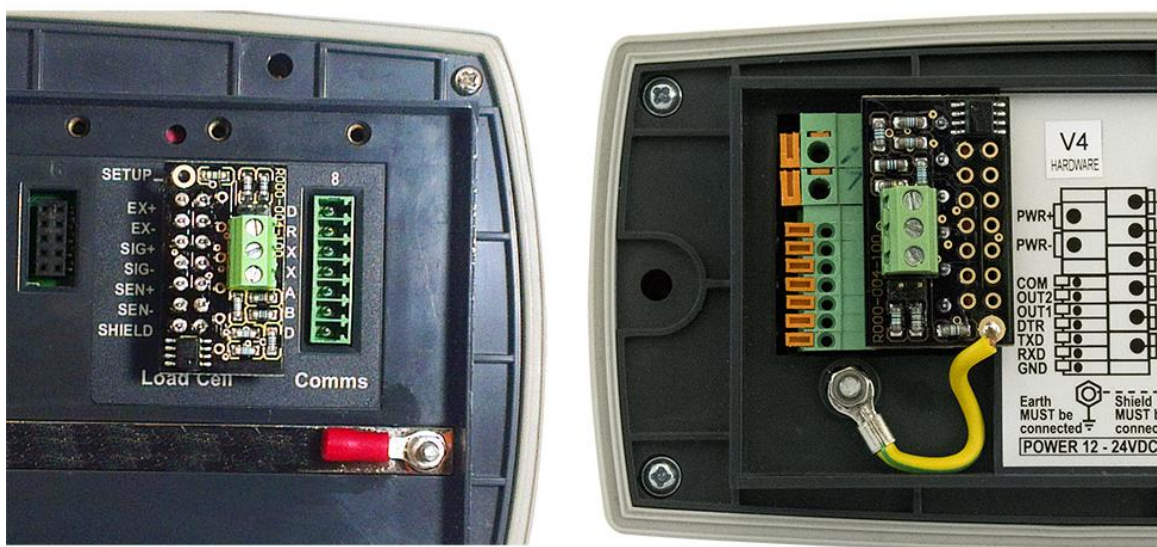


Figure 1: Pin configuration of the input converter

To convert voltage input, the input converter should be setup according to Figure 2.

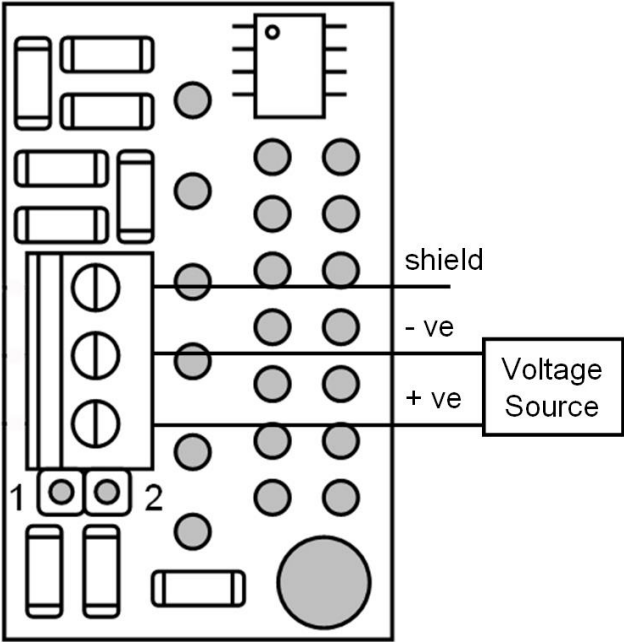


Figure 2: Input converter setup for voltage input

To convert current input, the input converter should be setup according to Figure 3

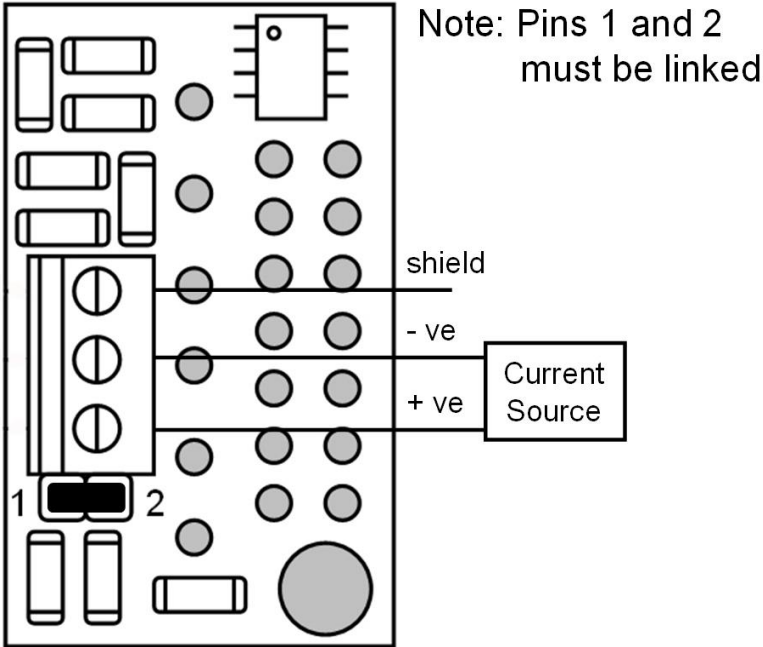


Figure 3: Input converter setup for current input

Setup and Calibration

Refer to the Weighing Indicator Quick Start Manual for setup and calibration.