

Remote Displays



rinstrum
SMART WEIGHING SOLUTIONS



D800 and D700 Series Remote Displays

Rinstrum remote displays are designed for harsh industrial and agricultural applications typical of the weighing industry. Feedback from service technicians and scale installers helped guide the design process which resulted in reliable and service friendly remote displays. Simple mounting brackets, extruded aluminum housings, innovative wiring connections and optical isolation (on the communications port) give Rinstrum remote displays excellent price/performance value.

D732 Numeric super bright LED remote display

D732 offers numeric only digits, auto dimming for low light conditions and built-in traffic lights. The D732 is compatible with 5 communication protocols including Rinstrum A, C, D and Condec.

- Super Bright LEDs
- Wide viewing angle
- Suitable for external use
- Isolated RS232/485 serial
- Traffic lights (via control character in supported protocols)
- Auto detecting setup With Rinstrum indicators



D800 Series Alpha super bright LED remote display

The D800 Series remote displays offer alphanumeric characters and built in annunciators plus the convenience of Auto-baud and Auto-protocol communications. The D800 series is compatible with over 25 communication protocols.

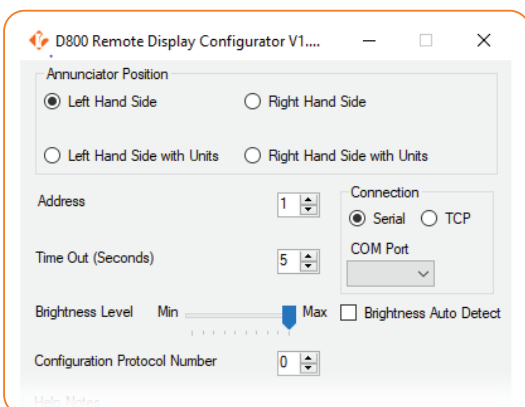
D841 includes integral Red/Green traffic lights with software or hardware control. All versions include auto dimming for low light conditions. The traffic lights can be controlled by a hardware switch or a control character in the supported protocols.

D850 will display "X" for Red, " " for Green and "-----" for traffic light inputs.

- Super Bright LEDs
- VAC, VDC Power options
- Isolated RS232/485 serial or Ethernet
- Alpha numeric characters for improved readability
- Auto detecting setup with Rinstrum Indicators
- Compatibility with large range of indicator manufacturers
- Unit and Annunciators display
- Wide viewing angle



Rinstrum Remote Display PC Configurator



- DA004 Display config cable connects the remote to PC via USB
- Ethernet available remotes connect to PC via LAN network
- Brightness level control
- Annunciator position update
- Address selection

The benefits of our LED Remote displays

3 Configuration

- Auto-select protocol
- Auto-baud configuration
- Auto-brightness control

4 Display

- Super bright OSRAM LEDs give excellent readability
- 120 degree viewing angle from all directions

1 Service

- Waterproof field wireable connectors
- Simple mounting brackets and weather hood
- Universal VESA mounting hole pattern
- Light weight, easily installed by one person

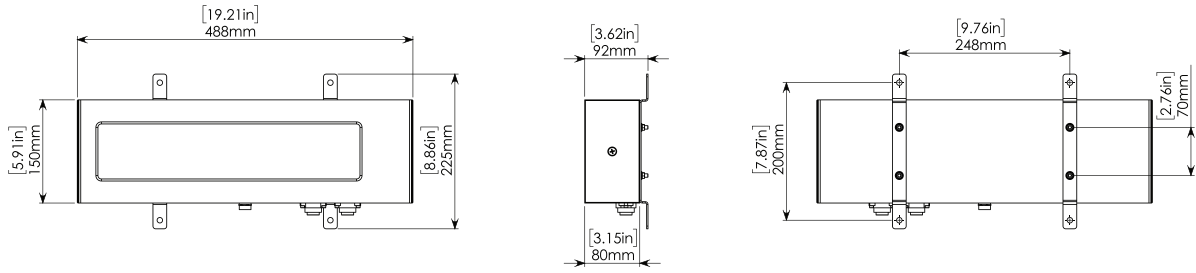
2 Design

- Sealed aluminum housing, IP65
- Robust 110-240 VAC power supply
- Independently tested against interference from RFI and EMI

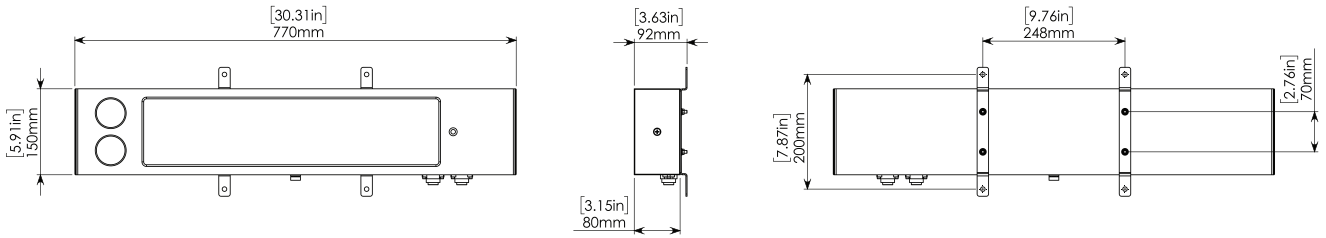
Specification Table

	D732	D841	D850	
Display	Super Bright LEDs			
	28 LEDs per digit 7 Segment Numeric characters, Single row of LEDs	Alpha numeric characters Double row of LEDs		
Digits	Six (6) digit	Six (6) digits + Annunciators or Seven (7) digits		
Digit Height	75mm (3in)	100mm (4in)	140mm (5.5in)	
Visibility	20m (66feet)	30m (100feet)	70m (230feet)	
Traffic Lights	Dedicated Red/Green	Dedicated Red/Green	X/ displayed	
Annunciators	-	Motion, Centre of Zero, Net		
Unit Switching (Protocol Dependent)	-	Display Units (either right- or left-hand side) Adhesive sticker		
AC Power	110-240VAC 50/60Hz 32W MAX	110-240VAC 50/60Hz 32W MAX		
DC Power (Factory fit)	12-24 VDC (9-36VDC) 40W MAX	12-24 VDC (9-36VDC) 50 W MAX		
Scrolling Messages (Factory fit)	-	K802 Firmware 150-character text strings slow/medium/fast scroll rate	-	
Viewing Angle	120 ° from all directions			
Brightness Control	Steps 1-10; Automatically to ambient lighting			
Operating Environment	Temperature: -20 to +60 °C case temperature (-4 °F to 140 °F)			
	Humidity:<90%rh non-condensing			
Setup	Auto detecting to compatible indicators			
Memory	Full non-volatile operation			
Interfaces	RS232 – RS485 receive			
	-	Ethernet (Factory fit alternative to serial)		
Set Up	-	Via external data connector (DA004) and remote display configurator software (D800-500)		
Approvals	FCC, CE, C-tick			
Environment Rating	IP65			
Mounting Option	Weather Hood	D73x Weather Hood (DA001)	D84x Weather Hood (DA002)	-
	Mounting Plate	VESA and RAM compatible mounting points (DA003)		-
Dimensions	488x150x80mm 19x6x3.2in	770x150x80mm 30.3x6x3.2in	811x200x80mm 31.9x8x3.2in	
Weight	3.3kg (7.3lb)	4.2 kg (10.2lb)	7.4kg (16.3lb)	
Ethernet Interface	No	Factory fit	Factory fit	

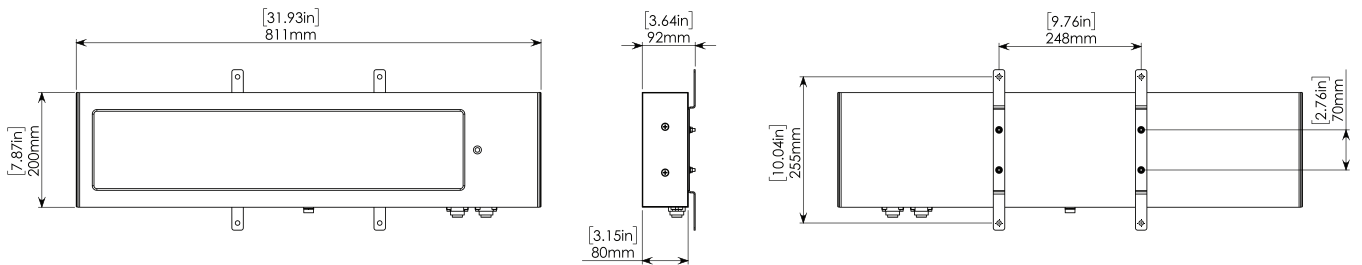
D732



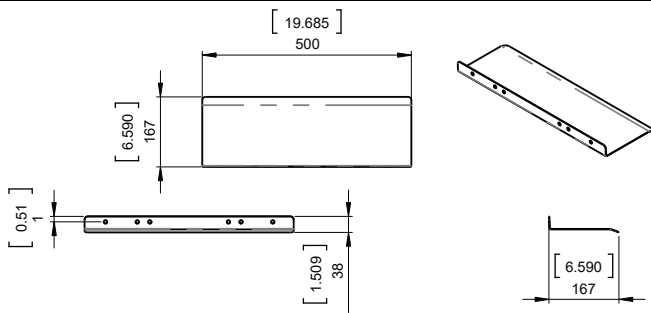
D841



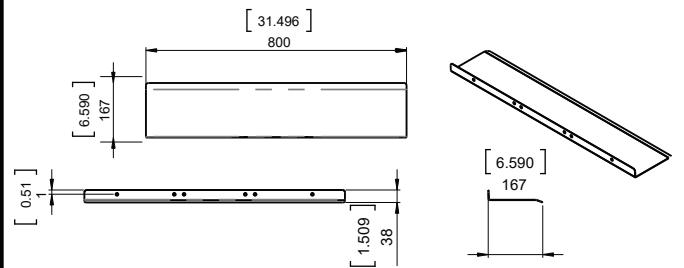
D850



D732 Weather Hood



D841 Weather Hood



Local Dealer



Contact Us