

C3 Series - C327 Data Sheet



- Wide DC range 5-24V
 - 20mm (0.8in) LCD display with RGB backlight
 - Six 9 segment characters
 - Stainless steel housing
 - Tough, compact polyester overlay
 - Rated IP69K
 - Range of accessory cards
 - NTEP/ OIML/ NMI approved
- The C327 is Rinstrum's latest compact stainless steel indicator in our C3 Series. It is ideal for mobile applications such as forklifts, platforms, inside truck cabs, crane scales and OEM applications with its compact size, tough housing and wide DC operating range. The C3 Series indicators are ideal for basic weight-control or level-control functions using the general or advanced setpoints and checking weighing and offer an improved operator interface with the multi-coloured backlight. The C327 supports all the C3 Series accessory cards for communications, I/O and battery. It is available in AC or DC or battery variants.
- Wide DC operation (5-24V)/ USB lead: to suit a variety of onboard OEM applications. The USB lead eliminates the need for third party power supplies saving on system complexity and cost.
 - Two RS232 bidirectional serial ports: independently configurable for network, printing or remote display functions.
 - Inputs and Outputs: Two digital inputs and two high-side digital outputs that are electrically isolated. Outputs are capable of driving low voltage DC actuators directly
 - Onboard data storage: compliant to WELMEC 7.2 (alibi memory DSD)
 - rinLINK: magnetically coupled link on front fascia for easy access in situ for updates/setup of the indicator, saving the installer time and effort.
 - Flush polyester overlay with mechanical keys: no membrane key to wear out, easy to keep clean, fully sealed, durable chemical resistance, improves uv resistance.
 - Printing: Multiple standard print dockets through to fully programmable print formats that can be easily created with the drag and drop configuration tool rinPRINT.

Advanced Setpoints

The C3 instruments support up to 8 setpoints with setpoints 1 and 2 linked to the onboard digital outputs. Setpoint status can be used to drive the onboard outputs directly, sound the buzzer, change display backlight colour. Setpoint functions include:

- OVER/UNDER target
- CHECKWEIGH: OVER, UNDER, PASS
- Status (motion, zero, net)

Setpoint outputs can be latched and reset from remote inputs or external control.

Accessory Cards

Optional accessory cards can be connected using the Accessory port to add more functionality to the C327 indicator.

Communication cards

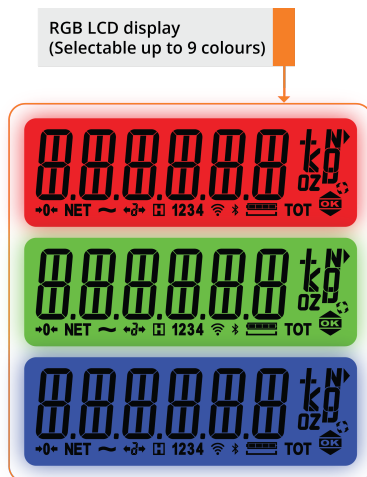
- C3 Series RS232 Communications card - M6201
- C3 Series RS485 Communications card - M6203
- C3 Series 20 mA Current Loop Communications card - M6204

Expansion cards

- C3 Analogue Output card - M6401 (K306 only)

Accessory cards

- C3 Series Converter 0-10V/4-20mA Input - M6902
- C3 Series Battery Module - M6103



Smart Weighing

The C327s bright, vivid backlight changes colour automatically as the pre-assigned target weights are reached.

The operator knows immediately when they've reached the acceptable weight range based on the orange, green, or red color changes for UNDER, ACCEPT, or OVER weights.

... now that's smart weighing!

Specifications

General	
Trade approval	NTEP 23-090 / NMI S869 / OIML R76-1 (2006)
Resolution	Up to 100,000 divisions, minimum of 0.1uV/division Trade: Up to 10,000 divisions, minimum of 0.33uV/division
Zero cancellation	± 2.0mV/V
Span adjustment	0.1mV/V to 5.0mV/V full scale
Excitation	5V for up to 8 x 350-ohm load cells (4-wire or 6-wire plus shield) Max total load cell resistance: 3,500Ω
A/D type	24bit Sigma Delta with 8,388,608 internal counts, 50 updates/second
Operating environment	Temperature: -10° to +50°C ambient (14° to 122° F), Humidity: <90% non-condensing
Setup and calibration	Fully digital with visual prompting in plain messages
Digital filter	IIR low pass filter
Zero range	Selectable from ± 2% to ± 100% Full Scale
Standard power input	5 to 24VDC (2.5 VA max) ON/OFF key with memory feature
Optical data communications	rinLINK - magnetically coupled infra-red communications Conversion cables available for USB
Keys US region	Power/ Zero/ Tare/ Select/ Units Switching (lb/ kg/ oz/ g/ t/ TN/ lb:oz/custom) plus two assignable function keys
Keys ROW region	Power/ Zero/ Tare/ Select plus three assignable function keys
Accessory Cards	
Communications cards	RS485, RS232, Current loop
Expansion cards (K306 Only)	0-10V, 4-20mA, isolated 16 bit analogue output

	C320-A	C320-G	C320-H	C327	C350	C357
Display	RGB Backlit LCD with six 20mm (0.8") high digits with units and annunciators, 9 segment			RGB Backlit LCD with six 50.8mm (2") high digits with units and annunciators, 9 segment		
Case materials	Resin Alloy			Stainless Steel	Resin Alloy	Stainless Steel
IP Rating	IP66 with A11096 stiffening plate	IP20	IP66	IP66, IP68, IP69K, NEMA 4X	IP66, IP68, NEMA4	IP66, IP68, IP69K, NEMA 4X
Packing Weights	0.25kg/ 9oz	0.42kg/ 14.8oz		3.5kg/ 7.7lbs	3.8kg/ 8.4lbs	5.5kg/ 12.1lbs

	C320-A	C320-G	C320-H
Plug Pack (AC 110-240 VAC)	Option	Included	Included
DC 5-24 VDC	Rear connector	Uses Barrel connector	Factory fit via cable gland
M6001 Battery boot (Using 4*AA batteries)	Option	Factory Fitted	-
M6003 (Boot)	Option	-	Factory fitted

	C327	C350	C357
AC 110-240 VAC	Potted AC Line Cord	Cable gland with AC line cord	Potted AC Line Cord
DC 5-24 VDC	3 pin LTW connector	Cable gland (without cord)	3 pin LTW connector
M6103 (Battery accessory)	Optional two Li-ion 18650 3500mAh		
AC + Battery (-F variant in catalogue)	As per AC specification with factory fitted battery (two Li-ion 18650 3500mAh)		

Specifications may change at any time without notice.

Firmware Variants

Firmware Version		Standalone (K301)	All round (K304)	Advanced (K306)
Function Keys	Hold	Manual	+Peak	+Peak
	Counting	-	S	S
	Auto Tare	-	S	S
	Totalising	-	S	S
	Display Test	S	S	S
	High Res (x10)	S	S	S
Quick Calibration		S	S	S
Units Switching lb/ kg/ oz/ g / t/ TN/ lb:oz/custom (switching between up to three units plus counting)		S	S	S
Multiple Tare (enhanced)		S	S	S
Medical hold		-	S	S
Multi color backlight		-	S	S
QA Date		-	S	S
mV/V Calibration		-	S	S
Clock Calendar		-	S	S
Remote Inputs		-	2	2
Isolated Outputs		-	2	2
Custom AUTO/SINGLE Output		S	S	S
Ring Network rinCMD		A	S	S
SIMPLE Network emulation		-	S	S
Printing		-	Programmable	
RS232 onboard		-	2	2
Extra Serial Port(%) – Card (#) RS232, RS485, 20mA LOOP		A	A	A
Livestock Weighing		S	S	S
Gravity Compensation		S	S	S
Linearisation		S	S	S
Mimic Mode		-	S	S
Check Weighing (RGB Backlight)		-	S	S
Set Points		-	Basic (8)	Adv (8)
Analogue Output Card		-	-	A
Alibi WELMEC 7.2 (DSD)		-	S	S
Li-ion battery		A	A	A
Programmable DSD CSV Log (#)		-	-	S
Bluetooth/WIFI (*)		A	A	A

S - Standard Accessory

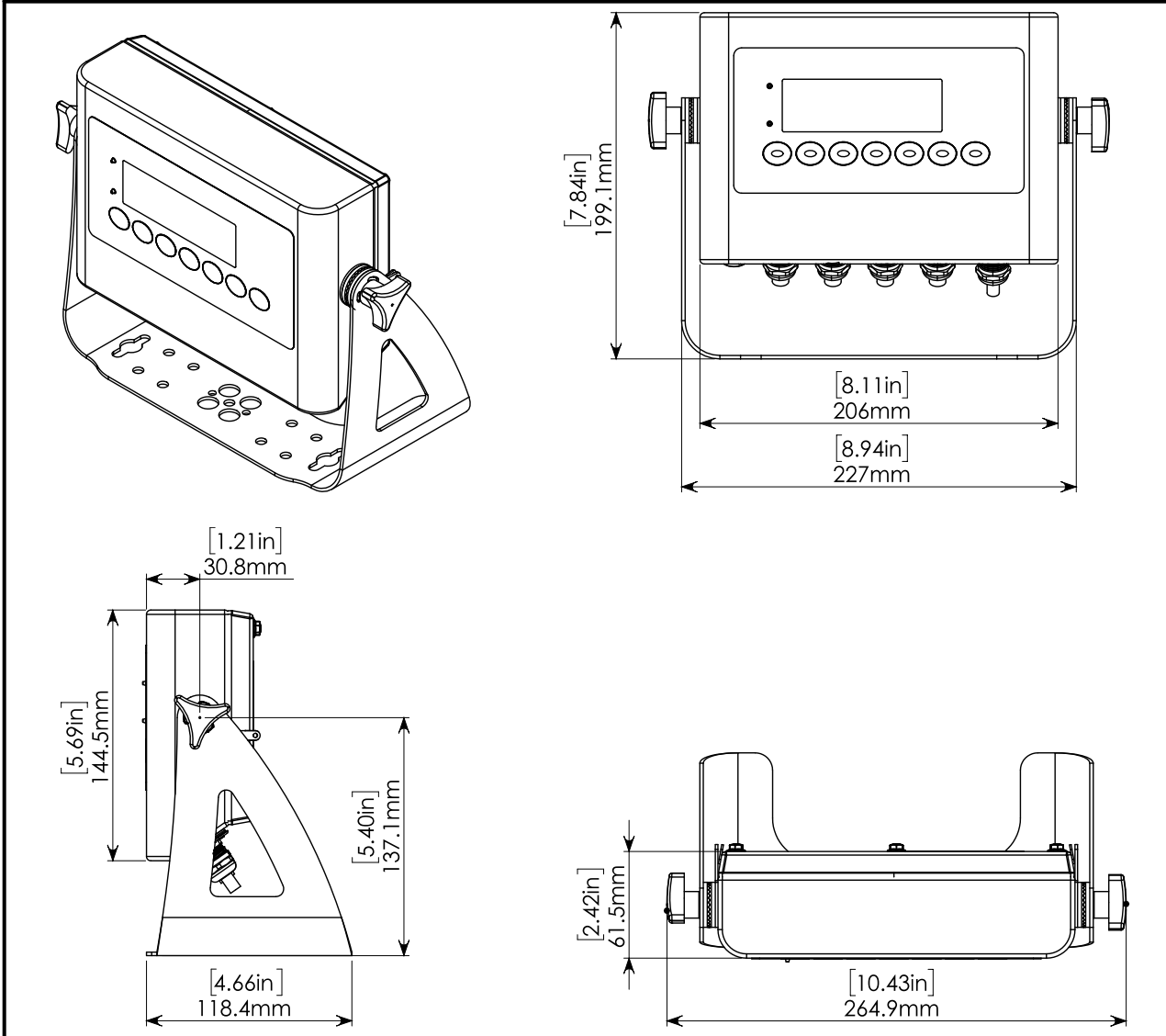
A - Optional Accessory

(*) - Accessory under development

(#) - Readable via the registers

(%) - Can be used to extend the capability of K301 Firmware with added comms

C327 Stainless Steel Full Housing Indicator



Specifications are subject to variation for improvement without notice. Illustrations are indications only and variation may be evident between products.