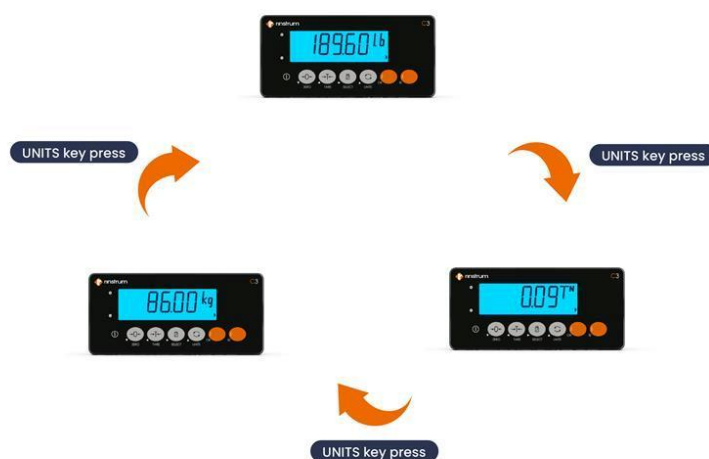


Application

A C320 connected to a large remote display (D850) is used for tank weighing applications.



- When the connection is established between the C320 and the remote display, it will reflect the weight shown on the C320 including the unit and decimal points.
- The unit shown on the display can be the primary unit of the indicator or the displayed unit on the indicator. *See Configuration – remote display.*
- The UNITS key can be used to change the displayed weight unit. When configured correctly weight can be changed to 3 different units from 8 available options. *See Configuration – unit switching.*



- The displayed weight can be printed out to a ticket with a single keystroke using function keys. *See Configuration – printing.*



If the indicator has any weighing error the display will show the message "ERROR" and when the link is disconnected between the indicator and the Remote display it will show "--/--".

The remote display connection can be established to the C320 from the setup menu under the serial communication section.

Configuration – remote display

```

FULL SETUP
--- LANG      : EN
+ GEN.OPT
+ SCALE
- SERIAL
  --- HEADER  :
  --- FOOTER  :
  - SER 1
    --- BAUD   : 9600
    --- DATA  : 8
    --- PARITY : P NONE
    --- STOP   : 1
    + SER.NET
    - SER.AUT
      --- FORMAT : FMT.C
      --- AUT.SPD : 10Hz
      --- SOURCE  : D.DISP
    + PRINT
  + SER 2
  + SER 3
+ SETP
+ APP
+ TEST
--- End
    
```

When connecting to a Rinstrum remote, select Format C. The other formats allow for different data to be sent and for connection on other manufacturer devices. It can be customised.

This can be any choice (1-10 Hz or FULL) except SINGLE. (10Hz recommended)

Transmitted weight data can be sourced from one of these choices. "D." is for displayed unit & "P." is for Primary unit.

Configuration – unit switching

```

┌─ FULL SETUP
├── LANG      : EN
├── GEN.OPT
├── SCALE
│   ┌─ BUILD
│   │   TYPE      : SINGLE
│   │   DP1       : 000000
│   │   CAP.1    : 10000 TN
│   │   E1       : 1
│   │   P.UNIT   : TN
│   │   UNIT.2   : 1b
│   │   UNIT.3   : OFF
│   │   HI.RES   : OFF
│   └─ OPTION
│   └─ CAL
│   └─ GRAVITY
│   └─ QA
├── SERIAL
├── SETP
├── APP
├── TEST
└── End
    
```

Unit switching can be set to switch up to 3 units using the UNITS key.

Configuration – printing

```

┌─ FULL SETUP
├── LANG      : EN
├── GEN.OPT
├── SCALE
├── SERIAL
├── SETP
├── APP
│   └─ P.COUNT  : OFF
│   └─ CHECK.W
│   └─ A.TARE
│   └─ F1 KEY
│       ├── TYPE      : PRINT
│       └─ PRT.OUT   : SER 1
│   └─ F2 KEY
│   └─ F3 KEY
│   └─ IN 1
│   └─ IN 2
├── TEST
└── End
    
```

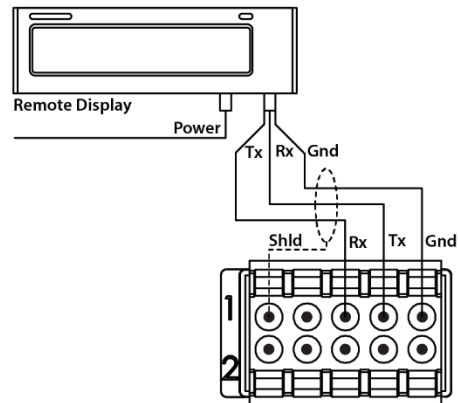
When a function key is set to PRINT function and a serial port is selected it will trigger a printout.

- For more information refer to the C300-707 C320 custom printing setup application note.

Outputs

Indicator serial output should be connected to remote display as Tx to Rx, Rx to Tx and GND through bulkhead connector.

- **Serial output to a remote display**



- For shorter distances (<10m/ 30ft), the onboard RS232 is suitable.
- For longer distances the RS485 accessory card (M6203) can be used with the C320.
- The scale unit does not require any changes to serial configuration.

*For more information refer to the **C300-600** C320 Reference Manual.*