

M6204 4-20 mA Current Loop Comms Module

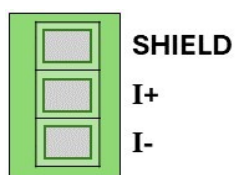


Module Description

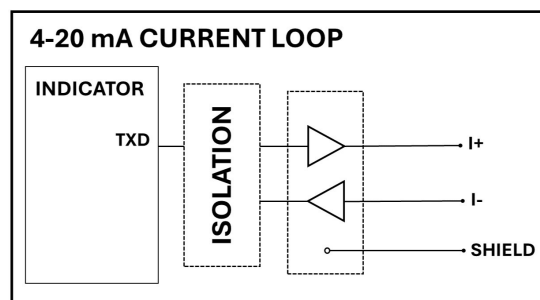
General	1 x Transmit only 4-20mA current loop
Power Supply	Internal
Baud rate	9600
Isolation	Optically isolated
Parity bit	None, Even, Odd
Data bits	7, 8
Stop Bits	1, 2

Note 1: Instrument may not support all options.

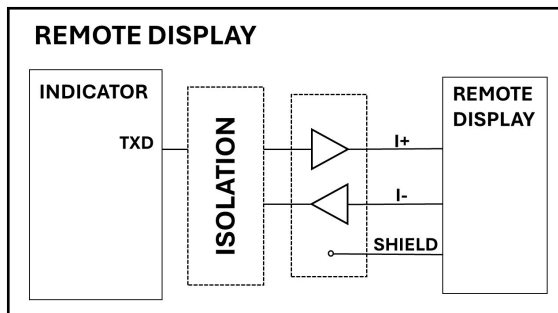
Module Connections



Interface Diagram



Example Use



M6204 Setup

The indicator should be switched OFF before installing or removing this device.

Modules are configured using the indicator setup. Setup can be done via the indicator keypad or the viewer program. An overview of setup is given below; see the indicator Quick Start or Reference manuals for detailed setup information.

The indicator provides configuration checking capabilities for the M6204. This is found in the SERIAL setup menu. See the indicator Quick Start or Reference manuals.

K306 Software Setup

This module is configured as serial port 2 on the indicator.

Network

(i) Serial. . . . SER.NET. . . . (Refer to quick start manual for settings)

Automatic Output

(i) Serial. . . . SER.AUT. . . . (Refer to quick start manual for settings)

Print

(i) Serial. . . . PRINT. (Refer to quick start manual for settings)