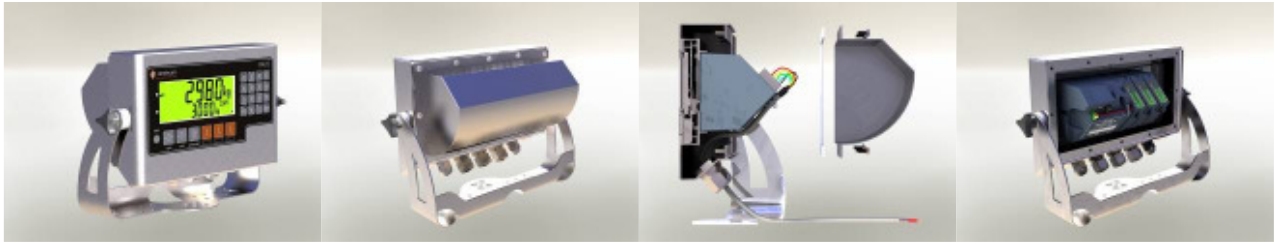


## Product Launch – R423 Stainless Steel Enclosure



### R400 Series – R423 Stand alone stainless steel

The R423 previously available in a panel mount version is now available in a standalone stainless enclosure.

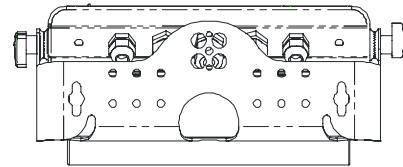
- Rated to IP66 it is dust and water resistant.
- All Stainless Steel (304/1.4301)
- Easy access to rear of indicator and cabling when back cover removed
- Compatible with all standard R400 series modules.
- High impact polycarbonate lens to protect the LCD from knocks
- Easily accessed tilt adjustment with positive locking.



### Versatile Mounting

Multiple mounting options using a single stand:

- Desk/Wall/Post
- Cut outs - key hole, Rinstrum standard post mounting and cable routing hole

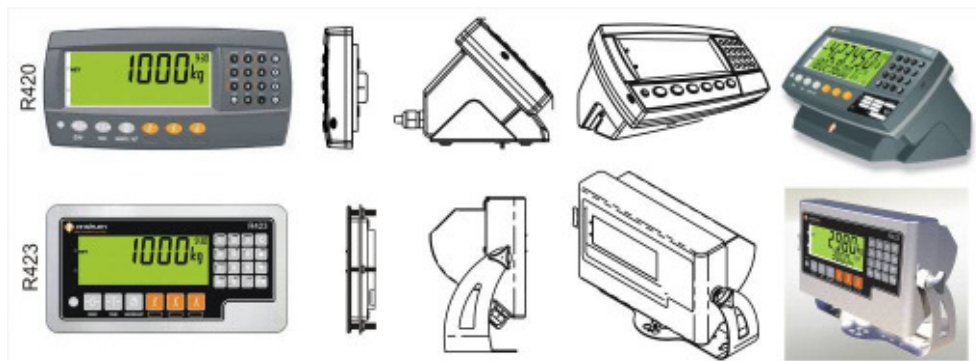


### Stock Codes

- R423-Kxx-C DC version
- R423-Kxx-D\* AC versions where \* is 1,2,3,4 for country plug option
- R423-Kxx-F rechargeable battery version

Available for all R400 application software:

- K401 General Weighing
- K402 Multi-product
- K404 Truck Weighing
- K410 Filling
- K411 Batching
- K481 Summing



### R400 Series

ABS or Stainless Steel - Standard Weighing to Complex Batching

...now that's smart weighing

[www.rinstrum.com](http://www.rinstrum.com)